

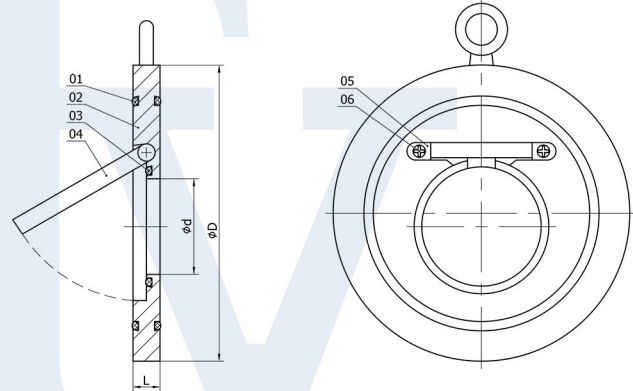
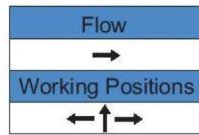
# MODEL : SD-205 [ Superlite Check Valve ]

Connection : JIS 10K, ANSI 150, PN 16



Small, lightweight, and easy to maintain.  
Maintenance free and prevent pressure drop  
Material : SS304, SS316

- ◆ Suitable for : 1. Water
- 2. Oil
- 3. Gases



### ◆ MATERIAL LIST

No.	Parts	Material	
1	O-ring	VITON	
2	Body	CF8	CF8M
3	O-ring	VITON	
4	Disc	CF8	CF8M
5	Baffle	304	316
6	Bolt	304	316

### ◆ DIMENSIONS (mm)

DN	NPS	L			d			D			Kg/Pc		
		JIS10K	ANSI150	PN16	JIS10K	ANSI150	PN16	JIS10K	ANSI150	PN16	JIS10K	ANSI150	PN16
40	1-1/2"	15	-	15	24	-	24	85	-	90			≈0.5
50	2"	15	15	15	32	32	32	100	95	105			≈0.88
65	2-1/2"	15	15	15	43	43	43	120	118	125			≈1.3
80	3"	15	15	15	55	55	55	130	132	140			≈1.55
100	4"	15	15	15	78	77	77	155	160	160			≈1.96
125	5"	16	16	16	97	97	97	185	185	185			≈2.56
150	6"	19	19	19	123	122	122	215	218	218			≈4.34
200	8"	25	25	25	148	145	145	265	270	270			≈7.72
250	10"	29	29	29	198	200	200	330	325	325			≈12.64
300	12"	38	38	38	250	250	250	375	380	378			≈18.66